

DS-2CE16D1T-IT5



Key Features

- 2 Megapixel high-performance CMOS
- Turbo HD output, up to 1080P resolution
- True Day/Night, Smart IR
- EXIR technology, up to 80m IR distance
- IP66 weatherproof
- OSD menu

Specification

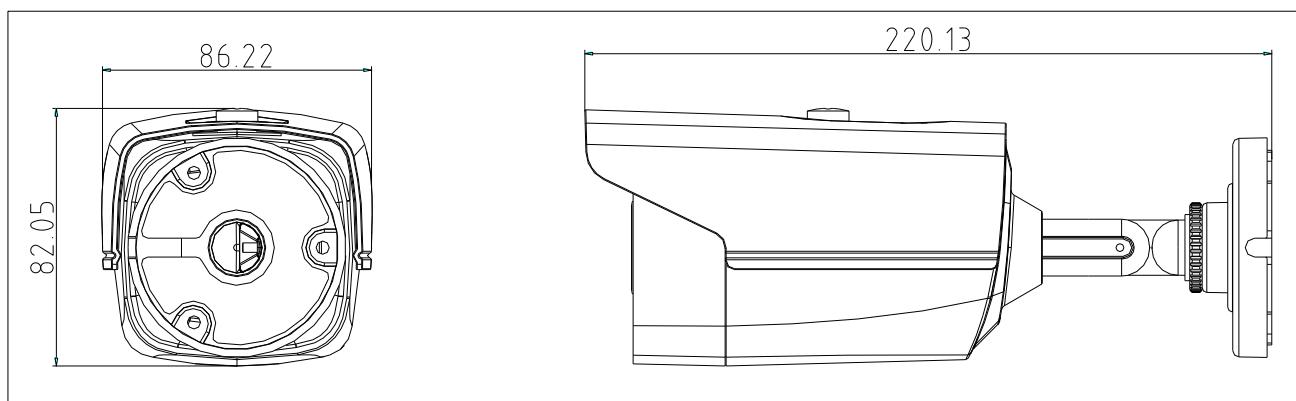
Model	DS-2CE16D1T-IT5
Parameter	Turbo HD1080p EXIR Bullet Camera
Camera	
Image Sensor	2MP CMOS Image Sensor
Signal System	PAL/NTSC
Effective Pixels	1984(H)*1105(V)
Min. Illumination	0.01 Lux @ (F1.2,AGC ON),0 Lux with IR
Shutter Time	1/25(1/30) s to 1/50,000 s
Lens	3.6mm (6mm, 8mm, 12mm, 16mm optional)
	Angle of View: 84.3°(3.6mm), 55.4°(6mm), 38.7°(8mm), 24.8°(12mm), 19.2°(16mm)
Lens Mount	M12
Angle Adjustment	Pan: 0 - 360°, Tilt: 0 - 180°, Rotation: 0 - 360°
Day & Night	ICR
Synchronization	Internal synchronization
Video Frame Rate	1080p@25fps/1080p@30fps
HD Video Output	1 Analog HD output
S/N Ratio	> 62dB
Menu	

AGC	High/Medium/Low/Off
D/N Mode	Smart IR/Color/BW
White Balance	Auto/Manual
BLC	Support
Language	English
Functions	Digital noise reduction, Mirror
General	
Working Temperature/Humidity	-40 °C – 60 °C (-40 °F – 140 °F) Humidity 90% or less (non-condensing)
Power Supply	12V DC±15%
Power Consumption	Max. 5W
Weather Proof Ratings	IP66
IR Range	Up to 80m
Communication	Up the coax Protocol: HIKVISION-C(Coaxitron)
Dimensions	86.22×82.05×220.13mm(3.39"×3.23"×8.67")
Weight	430 g (0.95 lbs)

Order Model

DS-2CE16D1T-IT5

Dimension



Accessory



DS-1280ZJ-XS
Junction box



DS-1H18
Video Balun



DS-TT-X41T
TVI Tester